



PepperBall®

# FTC PRO™

---

User Manual

---





# TABLE OF CONTENTS

## FTC PRO™

WARNINGS & SAFETY .....	PAGE 3
PARTS AND TOOLS .....	PAGE 6
FTC PRO OVERVIEW .....	PAGE 7
GETTING STARTED .....	PAGE 8
HOPPER INSTALLATION .....	PAGE 8
HPA BOTTLE REMOVAL.....	PAGE 10
BARREL REMOVAL .....	PAGE 11
ADJUSTING VELOCITY.....	PAGE 12
CLEANING & MAINTENANCE.....	PAGE 13
TROUBLESHOOTING.....	PAGE 15
WARRANTY .....	PAGE 18
RETURN POLICY.....	PAGE 19



Visit PepperBall® University for technical videos.

### **WARNING**

**THIS LAUNCHER IS NOT A TOY AND IS INTENDED FOR USE BY LAW ENFORCEMENT, MILITARY, CORRECTIONAL OFFICERS, PRIVATE SECURITY GUARDS, BAIL ENFORCEMENT AGENTS AND OTHER AUTHORIZED PERSONNEL. THIS PRODUCT LAUNCHES PROJECTILES FROM THE BARREL. MISUSE MAY CAUSE SERIOUS INJURY OR DEATH. ALWAYS MAKE SURE THAT THE TRIGGER SAFETY IS IN THE "SAFE MODE," EXCEPT WHEN THE LAUNCHER IS IN USE. SEE ADDITIONAL SAFETY GUIDELINES AND USER INSTRUCTIONS IN THIS MANUAL.**

# WARNINGS & SAFETY

## **Congratulations on your purchase of the PepperBall® FTC PRO™ Launcher.**

This launcher has been designed and manufactured by United Tactical Systems, LLC (UTS) to be reliable, accurate and durable. When properly handled, the FTC PRO will give many years of dependable service. Please take the time to read through this manual and become familiar with the FTC PRO parts, operation, maintenance, and safety precautions before you attempt to load or fire this launcher. This manual is a supplement to the recommended PepperBall training and should be used as a reference when performing maintenance or re-qualification.

By purchasing this launcher, you and your agency assume total responsibility for its SAFE and lawful use. You must observe the same safety precautions as you would with any firearm to ensure the safety of not only yourself, but everyone around you. The operator should use caution at all times when maintaining and firing this launcher.

## **LIMITATIONS AND USAGE**

There are some state or local limitations on purchase, possession, and use of the FTC PRO. Verify local legal requirements in your state and city to ensure possession and use are proper. The user assumes the liability from unsafe or improper use or any action which constitutes a violation of any applicable law or regulation.

The FTC PRO may be prohibited from certain premises, including government buildings, airports, courthouses, schools, or other public spaces. Possessing a FTC PRO in a prohibited area may subject user to criminal liability.

### **WARNING: If misused, this PepperBall launcher is a dangerous weapon.**

The user assumes all liability from unsafe handling or any action that constitutes a violation of any applicable laws or regulations. UTS shall not be liable for personal injury, loss of property, or loss of life resulting from the use of this weapon under any circumstances, including any intentional, reckless, negligent, or accidental discharges. By using this PepperBall launcher, you release UTS of any and all liability associated with its use.

All information in this manual is subject to change without notice. Please refer to [www.pepperball.com](http://www.pepperball.com) for the most up-to-date information about the use of this product. UTS reserves the right to make changes and improvements to products without incurring any obligation to incorporate such improvements in products previously sold.

### **IF YOU DO NOT ACCEPT LIABILITY, DO NOT USE THIS OR ANY PEPPERBALL LAUNCHER.**

**WARNING: This product contains chemicals known to the State of California to cause cancer and birth defects or other reproductive harm.**

## **SAFETY IS YOUR RESPONSIBILITY!**

The following safety information contains important warnings related to the proper use of the launcher, projectiles, and gas canisters. Do not load, discharge, or otherwise use this launcher until you have completely read this manual and/or have completed training and are familiar with its safety features, mechanical operation, and handling characteristics.



# SAFETY

## LAUNCHERS

**WARNING: CONTENTS ARE DANGEROUS — USE WITH CARE. PURCHASE AND USE OF PEPPERBALL LAUNCHERS AND PROJECTILES ARE LIMITED TO INDIVIDUALS WHO ARE AT LEAST 18 YEARS OLD. KEEP ALL PEPPERBALL PROJECTILES AND LAUNCHERS OUT OF THE SIGHT AND REACH OF CHILDREN.**

- **DANGER:** Never aim or shoot at the head, face, eyes, ears, throat, groin or spine. Impact in these areas could result in unintended severe or permanent injury or death.
- **DANGER:** ALWAYS KEEP THE LAUNCHER POINTED IN A SAFE DIRECTION. Never look down the barrel of the launcher. Accidental discharge into the eyes may cause permanent injury or death.
- Handle this launcher as if it were loaded at all times.
- Keep your finger off the trigger until ready to fire.
- Keep this launcher on “SAFE Mode” until ready to fire. Store in a SAFE and secure location when not in use.
- Never point or discharge your launcher at anything you do not intend to shoot.
- Never discharge your launcher at the personal property of others.
- Do not disassemble this launcher while it is pressurized or attempt to pressurize while it is disassembled.
- Keep exposed skin away from any escaping gas when in use and when installing or removing air supply.
- Use only PepperBall® authorized projectiles in this launcher. The use of any unauthorized projectiles in this launcher will void all warranties.
- Any modifications to the launcher are prohibited, except with United Tactical manufactured accessories and in accordance with United Tactical instructions. Unauthorized modifications will void all warranties.
- Increasing the velocity of this product increases the risk of death or injury.

## HIGH PRESSURE SYSTEMS

### WARNING—CONTENTS UNDER PRESSURE

Do not puncture or incinerate container. Do not expose to heat or store at temperatures above 120°F. Keep out of the reach of children.

# SAFETY

## PROJECTILES

Read projectile label carefully before opening container or using any of its contents. Opening container indicates user has carefully read label in its entirety and accepts its provisions as the terms and conditions under which this product is furnished.

Handle PepperBall® projectiles with care and follow proper cleanup procedure. PepperBall projectiles cause skin irritation, serious eye irritation, and may cause serious respiratory irritation. Exposure may result in copious tears, temporary blindness, burning sensation, and difficulty breathing. The projectile should never be ingested.

- In case of accidental exposure, exit the exposure area. Remove contact lenses and contaminated clothing. Flush eyes and affected areas with cool water. Do not rub or use creams, salves, lotions or oils which can trap irritant on the skin. Discard contact lenses and wash exposed clothing before reuse. If exposure or ingestion occurs, get medical advice/attention.
- Keep all PepperBall projectiles out of the reach of children. Store in a secure location with temperatures not to exceed 150° F or below -30° F. PepperBall projectiles have a shelf life of 3 years from opening or 5 years from date of purchase and should be safely disposed of after this period.

## EXPOSURE:

**Eye Contact:** Flush eyes and other contaminated areas IMMEDIATELY with large amounts of cool water, and expose to fresh air. Contact lenses should be removed by subject or qualified medical personnel and must be discarded.

**Skin Contact:** Wash skin with soap and water to prevent further exposure. Flush skin with large amounts of cool water to minimize irritant effect. Wash contaminated clothing before reuse. DO NOT rub contaminated areas or apply creams, salves, oils, lotions, or burn cream, which can trap irritant on the skin.

**Inhalation:** If breathing is difficult, administer oxygen. If high concentrations are inhaled, immediately remove subject to fresh air. Keep person calm. If not breathing, begin artificial respiration. If breathing difficulty persists, seek medical attention.

**Ingestion:** Although ingestion is unlikely and not considered a potential route of exposure, individual should be treated as having an acute non-specific airway reaction by an appropriate specialist. Do not induce vomiting.

To obtain the latest safety Data Sheets (SDS) for PepperBall projectiles, contact PepperBall Customer Service: [service@pepperball.com](mailto:service@pepperball.com) | 888-874-3491.



# INCLUDED PARTS & TOOLS

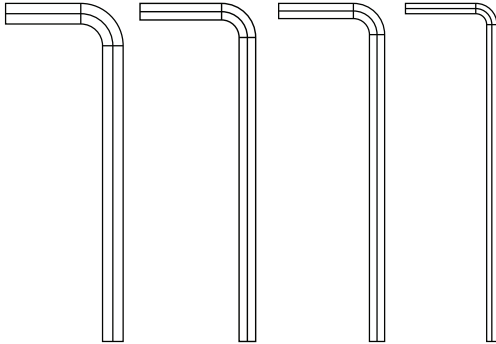
## HEX WRENCHES

4mm

3/16"

3/32"

1/8"

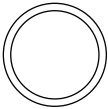


Ball Detent

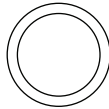


## O-RINGS

Barrel Thread Adapter  
019 N70



Hammer Bumper  
117 N70



Bottle  
015 U90



Bolt  
015 N70



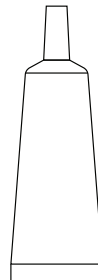
Hammer Spring



Squeegee

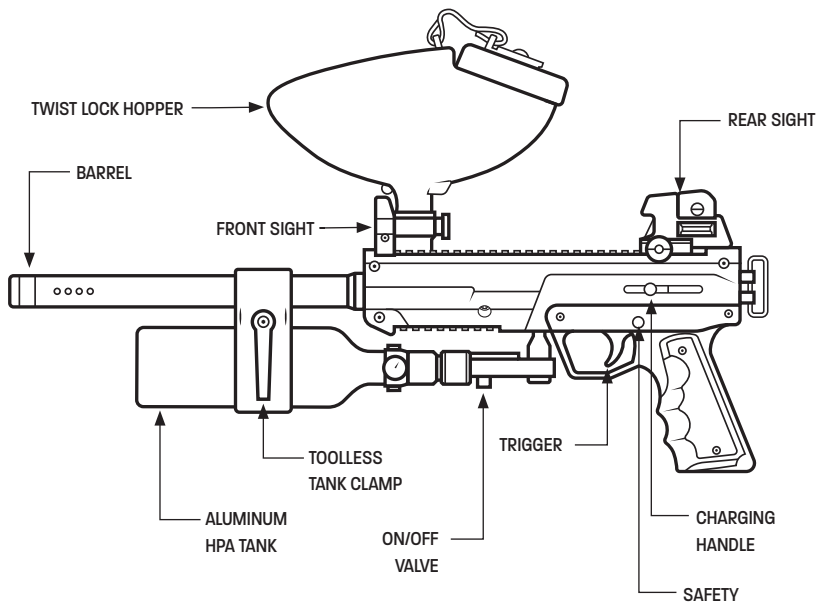


O-Ring Lubricant



# OPERATIONAL INSTRUCTIONS

## FTC PRO™ OVERVIEW



## FTC PRO™ SPECIFICATIONS

<b>SIZE:</b> 18.7" L x 14" H	<b>WEIGHT:</b> 6 LBS	<b>BARREL:</b> 10.5"	<b>CALIBER:</b> .68
<b>ACTION:</b> SEMI-AUTO	<b>CAPACITY:</b> 160 ROUNDS	<b>POWER:</b> HPA	<b>ROUND DISTANCE:</b> 60'



# OPERATIONAL INSTRUCTIONS

## GETTING STARTED

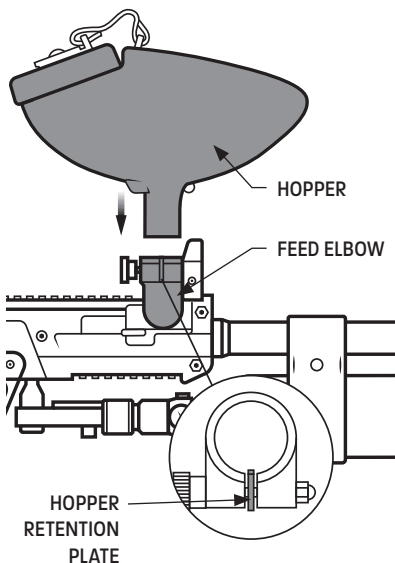
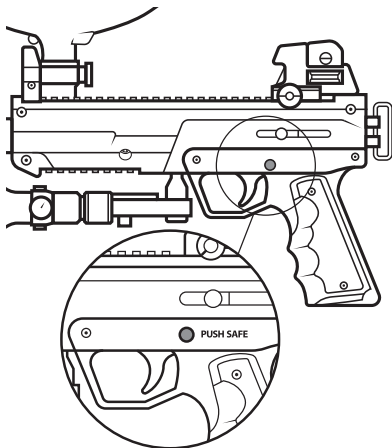
Read this entire manual before using this launcher. Keep your launcher pointed in a SAFE direction at all times.

1. Ensure charging handle is pulled back and locked in rear position before engaging on/off.
2. Place the FTC PRO™ in "SAFE Mode" by pushing the safety button so no red is visible. **Visible red indicates that launcher will discharge.**

## HOPPER INSTALLATION

1. Make sure that the feed elbow and hopper are clean and free of any sharp edges to keep your PepperBall® launcher feeding smoothly.
2. Install the hopper neck into the feed elbow of your launcher and secure the hopper with the thumb screw. With the launcher in "SAFE Mode," you are now ready to load your hopper with PepperBall Projectiles.
3. Fill the hopper with projectiles and close the lid.
4. Take out of "SAFE Mode" only when ready to shoot.

**NOTE:** Do not remove the hopper retention plate that is located in the adapter. Removal may lead to over compression of the hopper neck, which can restrict projectile passage.

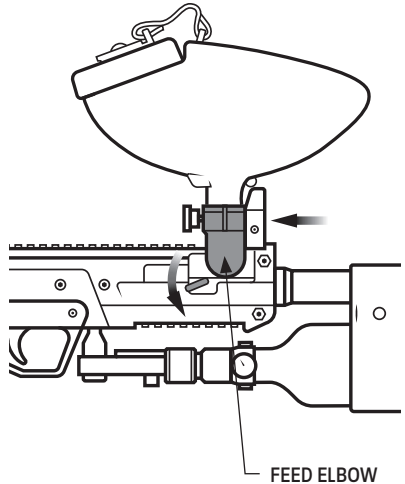


# OPERATIONAL INSTRUCTIONS

## UNLOADING LAUNCHER

1. Make sure the launcher is on the "SAFE Mode" and completely empty the hopper.
2. Place the on/off valve lever in the "OFF" position. While pushing down on the feed elbow lever, slide the feed elbow to the rear to expose the chamber.
3. Visually inspect the chamber and verify that all projectiles are out of the chamber and barrel.

**IMPORTANT:** Do not uncock the launcher as uncocking the launcher may push a projectile into the chamber or down into the barrel. Be aware that there still may be projectiles in the feed elbow.



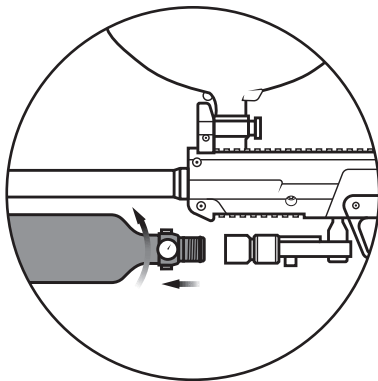
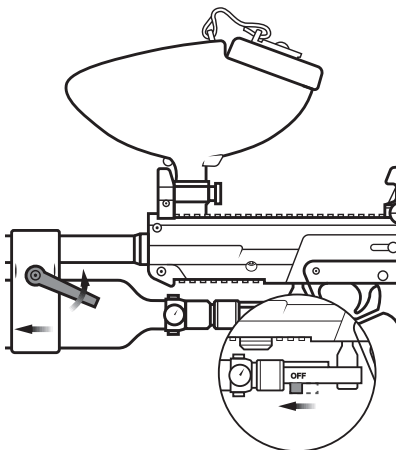


# OPERATIONAL INSTRUCTIONS

## HIGH PRESSURE AIR (HPA) BOTTLE REMOVAL

1. Ensure the on/off valve is in the "OFF" position. Loosen the lever on the toolless tank clamp and slide it off the HPA bottle and barrel.
2. Rotate the HPA bottle to the side and unscrew the bottle from the on/off valve.

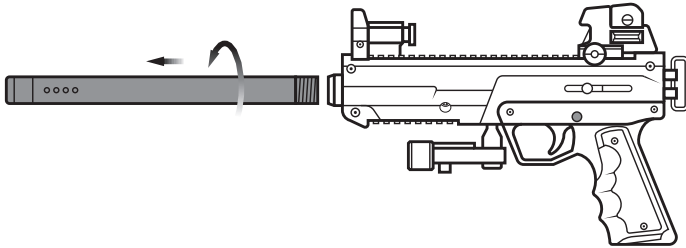
**IMPORTANT:** Before storing or disassembling, be sure to remove all projectiles and fire the launcher in a SAFE direction to confirm there are no projectiles or air left in the launcher. Place the launcher into "SAFE Mode".



# OPERATIONAL INSTRUCTIONS

## BARREL REMOVAL

1. With the toolless tank clamp, HPA bottle, and hopper removed, ensure the launcher is in "SAFE" Mode.
2. Rotate the barrel counterclockwise until it unthreads from the receiver.





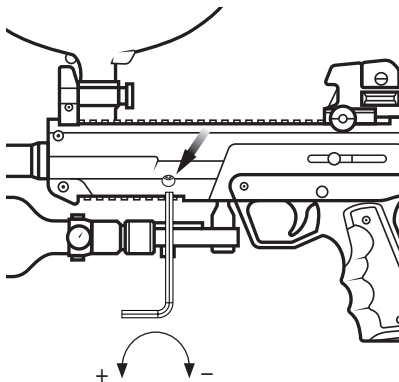
# OPERATIONAL INSTRUCTIONS

## SET VELOCITY

1. Insert 5/32" hex wrench into the velocity adjustment screw that is located on left side receiver at a 45° angle.
2. To adjust the velocity down, turn the screw inward or clockwise.
3. To turn the velocity up, turn the screw out or counterclockwise.
4. Fire once to clear chamber after each adjustment, then measure velocity of the second shot.

**NOTE:** Unscrewing the velocity adjuster too far out will cause launcher failure.

**WARNING:** Increasing velocity increases the risk of serious injury or death.



# CLEANING & MAINTENANCE

## SAFETY NOTES

- **WARNING:** Never clean a loaded or pressurized launcher.
- **WARNING:** Remove all projectiles from the launcher prior to doing any cleaning or maintenance.
- Never use petroleum-based cleaning solvents or lubricants as they can attack the O-ring seals.
- Do not use cleaning solvents that come in aerosol cans.

## BARREL DEBRIS REMOVAL:

1. If there is foreign debris or a broken projectile in the FTC PRO™ barrel, the barrel will need to be cleaned.
2. Ensure the FTC PRO is in "SAFE Mode" and remove barrel as outlined on page 11.
3. Use a .68 caliber soft nylon brush, .68 caliber squeegee, or a 12 gauge patch tip with a soft cotton cloth to clean the barrel. Do not allow lubricants or water to remain in the barrel of the FTC PRO. It is designed to be used with the barrel dry.
4. Wipe off any dirt or grime from the outside of the FTC PRO barrel with a dry cloth.



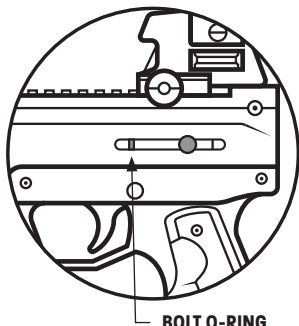
# CLEANING & MAINTENANCE

## LUBRICATION

Designed for PepperBall® launchers, Our O-ring lubricant (SKU: PM-OIL) protects O-rings, reduces wear, and helps maintain consistent performance.

**For optimum performance, do the following monthly:**

1. Place one drop of oil on the rear bolt O-ring.
2. Remove air bottle, place 2–3 drops of oil into air valve then reinstall bottle.
3. Pressurize system and cycle unit without projectiles 3–4 times to distribute lubrication.



# TROUBLESHOOTING

## FAQ

### **My FTC PRO is leaking down the barrel.**

- Check to see that it is properly lubricated.
- Check the valve O-ring.
- Make sure there is no damage to the valve.
- Make sure you have a sufficient amount of air. If the pressure is too low, the valve may not engage fully and will not close.
- Make sure the rotating on/off valve isn't on too tight.

### **My FTC PRO is rapid/sputter firing.**

- Check to see that it is properly lubricated. Remove air source, cock back rear bolt and place 1–2 drops of oil on the rear bolt O-ring.
- With the tank still removed, place 2 drops of oil in the air source adapter. Install tank and dry fire FTC PRO without projectiles to cycle the oil.
- Make sure your FTC PRO is free of debris.
- Check the trigger sear and springs for wear.
- Check the O-ring on the hammer.
- Make sure you have a sufficient amount of air.
- Check the air source adapter for debris.
- If none of this helps, contact [service@pepperball.com](mailto:service@pepperball.com) for assistance.

### **My FTC PRO is double feeding projectiles/projectiles are falling out.**

- Make sure your ball detent isn't worn or removed.



# TROUBLESHOOTING

## **My FTC PRO will not shoot.**

- Make sure your safety is in the "FIRE" position.
- Make sure you have your FTC PRO loaded with projectiles.
- Check to see that it is properly lubricated.
- Make sure the ball detent isn't backwards.
- Make sure the bolt assembly is properly installed.
- Make sure the air is in the "ON" position.
- Check that there is no blockage in your feed elbow.

## **I'm experiencing velocity issues.**

- Check that the FTC PRO is properly lubricated.
- Make sure you are adjusting with the proper hex key and the adjuster is not stripped.
- Check that your velocity adjustment screw is set properly.
- Inspect the main spring for wear.

## **My FTC PRO is breaking projectiles.**

- Make sure the launcher is free of broken projectiles or any other debris.
- Make sure the launcher is set to a reasonable velocity.
- Check that it is properly lubricated.
- Check the feed elbow for sharp edges or debris.

## **My feed elbow will not lock into place.**

- Make sure the spring in the feed elbow latch is properly installed.
- If the spring is missing, you will need a replacement. Contact [service@pepperball.com](mailto:service@pepperball.com) for assistance.

## **My barrel wiggles loose when shooting.**

- Check to make sure you have the barrel thread adapter O-ring installed.
- If there is no O-ring, contact [service@pepperball.com](mailto:service@pepperball.com) for assistance.

# TROUBLESHOOTING

## **My FTC PRO will not stay cocked.**

- Make sure you have a sufficient amount of air in your tank.
- Make sure the sear and spring are not worn/displaced.

## **The HPA bottle air leaks.**

- The most common leak occurs from a bad bottle O-ring, located on the tip of the HPA bottle.
- Remove the bad O-ring before installing a new one. The best O-rings are made of urethane and are not affected by high air-supply pressures. These may be purchased, please contact [service@pepperball.com](mailto:service@pepperball.com) for part requests.
- If a new HPA bottle O-ring does not resolve the air leak, do not attempt to repair the HPA bottle. Please contact [service@pepperball.com](mailto:service@pepperball.com) for assistance.

## **My FTC PRO is leaking from the on/off valve.**

- Please contact [service@pepperball.com](mailto:service@pepperball.com) for further assistance.

## **My FTC PRO fires once or twice, then stops.**

- Make sure it is clean and clear of debris.
- Ensure there isn't a projectile jammed in the breech.

## **After cocking my FTC PRO it will stay cocked even after trying to fire.**

- Check for debris on the bolt system.

### **HAVE QUESTIONS OR NEED HELP?**

Contact [service@pepperball.com](mailto:service@pepperball.com) or call 888-874-3491.



# WARRANTY & DISCLAIMER

## WARRANTY, DISCLAIMER OF WARRANTY AND LIMITATION OF REMEDIES

United Tactical Systems, LLC (UTS) warrants, solely to the end user, law enforcement agencies, private security firms, or private or public corrections agencies, that the product is delivered free from defects in materials and workmanship for a period of one (1) year from the original date of purchase.

Within the one-year warranty period, UTS' liability and the buyer's sole and exclusive remedy hereunder for all claims shall be limited to a refund or credit to buyer of the purchase price, or replacement of this product, at UTS's option, provided that the non-conforming product is (1) returned during the warranty period and (2) properly packaged and shipped to the UTS designated facility in accordance with the UTS Return Merchandise Authorization (RMA) Policy.

### **THE REMEDY SET FORTH ABOVE SHALL BE THE SOLE AND EXCLUSIVE REMEDY FOR BREACH OF THE FOREGOING WARRANTY.**

Products which have been improperly handled, stored or shipped, or which have been subject to abuse, misuse, alteration and or neglect are not covered by the warranty. Aftermarket products and the use of non-authorized projectiles are strictly prohibited by UTS and any indication of their installation or use shall void all warranties. Unauthorized modifications voids the warranty.

**DISCLAIMER OF WARRANTY:** Except for the express limited warranty set forth above, UTS makes no warranties or representations of any kind, whether express or implied, with respect to the product, including any (a) warranty of merchantability; or (b) warranty of fitness for a particular purpose; or (c) warranty against infringement of intellectual property rights of a third-party, whether express or implied by law, course of dealing, course of performance, usage of trade or otherwise. There are no warranties which extend beyond the description of the face hereof. Buyer shall make no warranty or representation regarding the products that is inconsistent with the warranty set forth above. UTS shall not be liable for any injury, loss, or damage, direct or consequential, arising out of the use or the inability to use this product. Warranty does not cover damage caused by abuse, misuse, loss, improper handling, alterations, accident, neglect, or disassembly. Before use, the user shall determine the suitability of the product and be fully trained for its intended use, and user assumes all risks and liability whatsoever in connection therein. In no event shall UTS be liable or obligated to buyer or to any third party in any manner for any (a) special, non-compensatory, consequential, indirect, incidental, statutory, or punitive damages of any kind, including, without limitation, lost profits and/or lost revenue, regardless of the form of action, whether in contract, tort, negligence, strict product liability, or otherwise, even if informed of or aware of the possibility of any such damages in advance, (b) in an amount greater than the amounts paid to UTS by buyer for the products, or (c) damage or injury caused by the products, unless due to the gross negligence or willful misconduct of UTS. The limitations set forth above shall be deemed to apply to the maximum extent permitted by applicable law and notwithstanding the failure of the essential purpose of any limited remedies. The parties acknowledge and agree that they have fully considered the foregoing allocation of risk and find it reasonable, and that the foregoing limitations are an essential basis of the bargain between the parties.

# RETURN POLICY

## CUSTOMER SERVICE, REPAIR POLICY AND RETURN POLICY

For any Customer Service related issues that cannot be answered by the FAQ in this manual, please contact PepperBall at:

**PEPPERBALL CUSTOMER SERVICE**  
service@pepperball.com | 888-874-3491.

## WARRANTY AND SERVICE INFO

All returns must be authorized by PepperBall. Contact PepperBall at service@pepperball.com or call PepperBall Customer Service at 888-874-3491.

### When returning product:

**CAUTION:** ALWAYS UNLOAD AND REMOVE AIR SOURCE, AND PROJECTILES BEFORE SHIPPING A LAUNCHER.

**CAUTION:** DO NOT SHIP BACK THE AIR SOURCE UNLESS COMPLETELY EMPTIED.

- If you have broken PAVA projectiles inside the launcher, please place launcher in a black trash bag. This helps protect our staff from contamination.
- Make sure the RA Number is clearly marked on the outside of the shipping package.
- Include a brief statement regarding the requested repair.
- Include your name, return address and a telephone number where you can be reached during normal business hours inside the shipping package.
- Out-of-warranty returns require a pre-payment of parts, labor, and shipping charges prior to return shipment by UTS.
- All in warranty products will be repaired or exchanged at the discretion of PepperBall and will be shipped back to the Customer via ground shipping at no-charge.
- You may request expedited shipping at your expense with charges paid prior to return shipment.



THIS IS NOT A TOY.

ONLY ALLOW USE BY RESPONSIBLE PERSONS.

READ MANUAL BEFORE USE.

Additional safety information available online.

PepperBall® is a division of United Tactical Systems, LLC  
28101 Ballard Drive, Suite F  
Lake Forest, IL 60045  
PepperBall.com