



PepperBall®

# SENTRY.68™

---

User Manual

---





# TABLE OF CONTENTS



PepperBall®

# SENTRY.68™

WARNINGS & SAFETY .....	PAGE 3
SENTRY .68 OVERVIEW .....	PAGE 6
MAGAZINE .....	PAGE 7
GETTING STARTED .....	PAGE 8
LOADING PROJECTILES/PRESSURIZING .....	PAGE 9
ADJUSTING VELOCITY .....	PAGE 10
OPERATIONAL CONSIDERATIONS .....	PAGE 11
CLEANING & MAINTENANCE .....	PAGE 12
TROUBLESHOOTING .....	PAGE 13
WARRANTY .....	PAGE 14
RETURN POLICY .....	PAGE 15



## WARNING

**THIS LAUNCHER IS NOT A TOY AND IS INTENDED FOR SELF-DEFENSE ONLY. THIS PRODUCT LAUNCHES PROJECTILES FROM THE BARREL. MISUSE MAY CAUSE SERIOUS INJURY OR DEATH. IMPROPER USE COULD ALSO RESULT IN CRIMINAL PROSECUTION, FINES, IMPRISONMENT, AS WELL AS CIVIL LIABILITY. WHEN THE LAUNCHER IS NOT IN USE, ALWAYS MAKE SURE THAT THE TRIGGER SAFETY IS IN "SAFE MODE". SEE ADDITIONAL SAFETY GUIDELINES AND USER INSTRUCTIONS IN THIS MANUAL.**

# WARNINGS & SAFETY

## **Congratulations on your purchase of the PepperBall® SENTRY .68™ Launcher.**

This launcher has been designed and manufactured by United Tactical Systems, LLC (UTS) to be reliable, accurate and durable. When properly handled, the SENTRY .68 will give many years of dependable service. Please take the time to read through this manual and become familiar with the SENTRY .68 parts, operation, maintenance, and safety precautions before you attempt to load or fire this launcher.

By purchasing this launcher, you assume total responsibility for its safe and lawful use. You must observe the same safety precautions as you would with any firearm to ensure the safety of not only yourself, but everyone around you. The operator should use caution at all times when maintaining and firing this launcher.

## **LIMITATIONS AND USAGE**

There are some state or local limitations on purchase, possession, and use of the SENTRY .68. Verify local legal requirements in your state and city to ensure possession and use are proper. The user assumes the liability from unsafe or improper use or any action which constitutes a violation of any applicable law or regulation.


The SENTRY .68 may be prohibited from certain premises, including government buildings, airports, courthouses, schools, or other public spaces. Possessing a SENTRY .68 in a prohibited area may subject user to criminal liability.

### **WARNING: If misused, this PepperBall launcher is a dangerous weapon.**

The user assumes all liability from unsafe handling or any action that constitutes a violation of any applicable laws or regulations. UTS shall not be liable for personal injury, loss of property, or loss of life resulting from the use of this weapon under any circumstances, including any intentional, reckless, negligent or accidental discharges. By using this PepperBall launcher, you release UTS of any and all liability associated with its use.

All information in this manual is subject to change without notice. Please refer to [www.pepperball.com](http://www.pepperball.com) for the most up-to-date information about the use of this product. UTS reserves the right to make changes and improvements to products without incurring any obligation to incorporate such improvements in products previously sold.

### **IF YOU DO NOT ACCEPT LIABILITY, DO NOT USE THIS OR ANY PEPPERBALL LAUNCHER.**

 **WARNING: This product contains chemicals known to the State of California to cause cancer and birth defects or other reproductive harm. For more information, go to [www.P65Warnings.ca.gov](http://www.P65Warnings.ca.gov).**

### **SAFETY IS YOUR RESPONSIBILITY!**

The following safety information contains important warnings related to the proper use of the launcher, projectiles, and gas canisters. Do not load, discharge or otherwise use this launcher until you have completely read this manual and are familiar with its safety features, mechanical operation, and handling characteristics.

**USE WITH CAUTION: This product may have the appearance of a deadly weapon, and may increase the risk of injury from third parties. Always be aware of your surroundings when using this product.**



# SAFETY

## LAUNCHERS

**WARNING: CONTENTS ARE DANGEROUS — USE WITH CARE. PURCHASE AND USE OF PEPPERBALL LAUNCHERS AND PROJECTILES ARE LIMITED TO INDIVIDUALS WHO ARE AT LEAST 18 YEARS OLD. KEEP ALL PEPPERBALL PROJECTILES AND LAUNCHERS OUT OF THE SIGHT AND REACH OF CHILDREN.**

- **DANGER:** Never aim or shoot at the head, face, eyes, ears, throat, groin or spine. Impact in these areas could result in unintended severe or permanent injury or death.
- **DANGER:** ALWAYS KEEP THE LAUNCHER POINTED IN A SAFE DIRECTION. Never look down the barrel of the launcher. Accidental discharge into the eyes may cause permanent injury or death.
- Handle this launcher as if it were loaded at all times.
- Keep your finger off the trigger until ready to fire.
- Keep this launcher on “Safe Mode” until ready to fire. Store in a safe and secure location when not in use.
- Never point or discharge your launcher at anything you do not intend to shoot.
- Never discharge your launcher at the personal property of others.
- Do not disassemble this launcher while it is pressurized or attempt to pressurize while it is disassembled.
- Keep exposed skin away from any escaping gas when in use and when installing or removing air supply.
- Use only PepperBall® authorized projectiles in this launcher. The use of any unauthorized projectiles in this launcher will void all warranties.
- Any modifications to the launcher are prohibited, except with United Tactical manufactured accessories and in accordance with United Tactical instructions. Unauthorized modifications will void all warranties.
- Increasing the velocity of this product increases the risk of death or injury.

## CARTRIDGES

**WARNING! NEVER USE GAS CARTRIDGES OTHER THAN WHAT IS SPECIFIED IN THIS MANUAL.**

**CO<sub>2</sub> Cartridges: WARNING—CONTENTS UNDER PRESSURE Do not puncture or incinerate container. Do not expose to heat or store at temperatures above 120°F. Keep out of the reach of children.**

**N<sub>2</sub> Cartridges: WARNING! CONTENTS UNDER PRESSURE Do not heat over 125°F or rupture may occur. NEVER POINT TOWARDS FACE OR PERSONS NEARBY. DO NOT INHALE—FIRST AID: IF INHALED, remove to fresh air. If breathing is difficult, give oxygen and call a physician.**

**CAUTION! Pressurized with nitrogen. Intended for use in specified PepperBall launching devices only. Protect from sunlight when ambient temperature exceeds 52°C/ 125°F.**

For product information, refer to the Safety Data Sheets (SDS) listed on [www.pepperball.com](http://www.pepperball.com)

# SAFETY

## PROJECTILES

Read projectile label carefully before opening container or using any of its contents. Opening container indicates user has carefully read label in its entirety and accepts its provisions as the terms and conditions under which this product is furnished.

Handle PepperBall® projectiles with care and follow proper cleanup procedure. PepperBall projectiles cause skin irritation, serious eye irritation, and may cause serious respiratory irritation. Exposure may result in copious tears, temporary blindness, burning sensation, and difficulty breathing. The projectile should never be ingested.

- In case of accidental exposure, exit the exposure area. Remove contact lenses and contaminated clothing. Flush eyes and affected areas with cool water. Do not rub or use creams, salves, lotions or oils which can trap irritant on the skin. Discard contact lenses and wash exposed clothing before reuse. If exposure or ingestion occurs, get medical advice/attention.
- Keep all PepperBall projectiles out of the reach of children. Store in a secure location with temperatures not to exceed 150° F or below -15° F. PepperBall projectiles have a shelf life of 2 years and should be safely disposed of after this period.

## EXPOSURE:

**Eye Contact:** Flush eyes and other contaminated areas IMMEDIATELY with large amounts of cool water, and expose to fresh air. Contact lenses should be removed by subject or qualified medical personnel and must be discarded.

**Skin Contact:** Wash skin with soap and water to prevent further exposure. Flush skin with large amounts of cool water to minimize irritant effect. Wash contaminated clothing before reuse. DO NOT rub contaminated areas or apply creams, salves, oils, lotions, or burn cream, which can trap irritant on the skin.

**Inhalation:** If breathing is difficult, administer oxygen. If high concentrations are inhaled, immediately remove subject to fresh air. Keep person calm. If not breathing, begin artificial respiration. If breathing difficulty persists, seek medical attention.

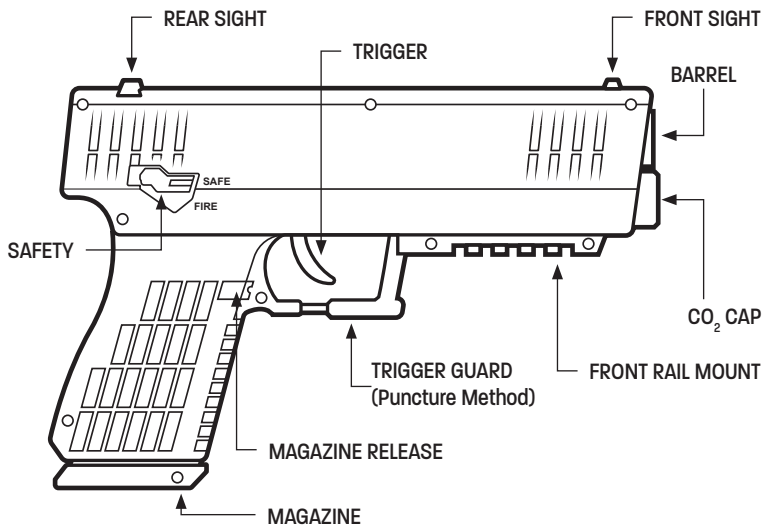
**Ingestion:** Although ingestion is unlikely and not considered a potential route of exposure, individual should be treated as having an acute non-specific airway reaction by an appropriate specialist. Do not induce vomiting.

For more details on these products, refer to the Safety Data Sheets (SDS) listed on [www.pepperball.com](http://www.pepperball.com).



# OPERATIONAL INSTRUCTIONS

## OVERVIEW

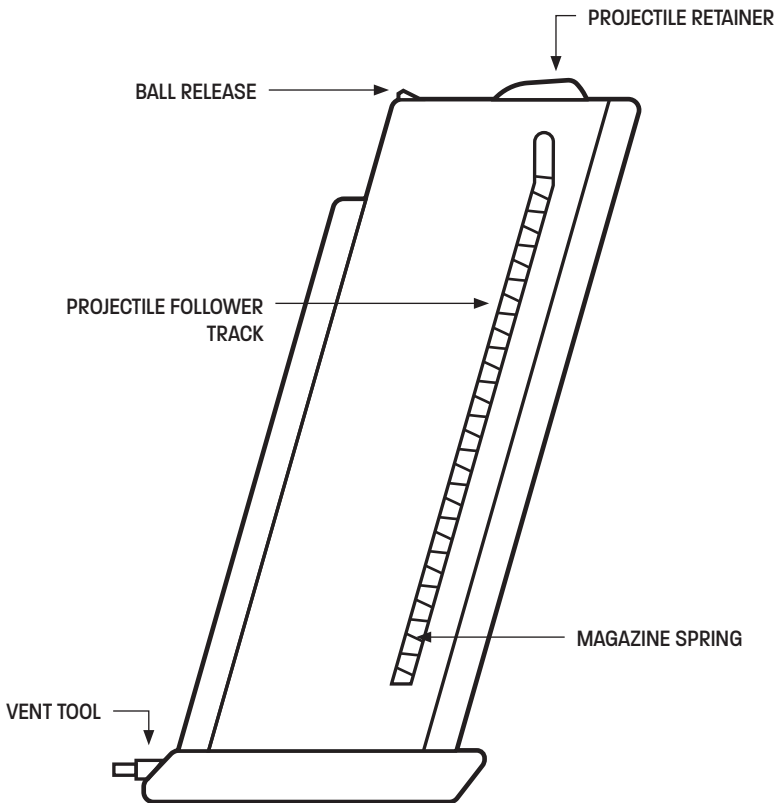


### SENTRY .68™ SPECIFICATIONS

<b>SIZE:</b> 8 1/2" L x 5 1/2" H	<b>WEIGHT:</b> 1.20 LBS	<b>BARREL:</b> 5 1/2"	<b>CALIBER:</b> .68	<b>ACTION:</b> SEMI-AUTO
<b>CAPACITY:</b> 5 ROUNDS	<b>POWER:</b> CO <sub>2</sub> / N <sub>2</sub>	<b>ROUND DISTANCE:</b> 60'	<b>VXR DISTANCE:</b> 150'	

# OPERATIONAL INSTRUCTIONS

## OVERVIEW



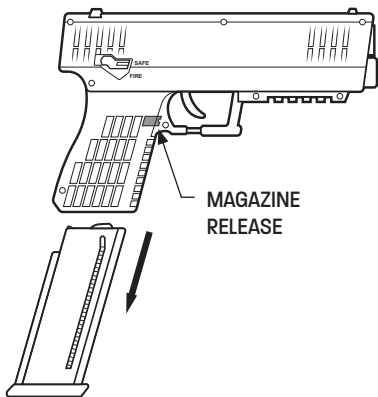
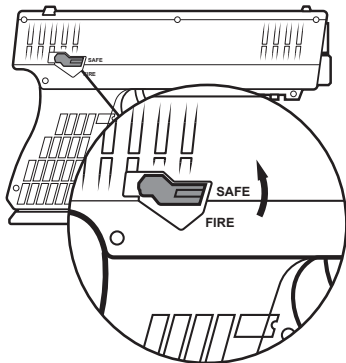


# OPERATIONAL INSTRUCTIONS

## GETTING STARTED

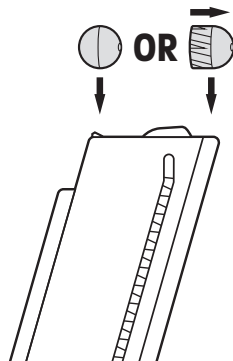
Read this entire manual before using this launcher. Keep your launcher pointed in a safe direction at all times.

- 1. SAFETY** - Place the SENTRY .68™ in safe mode by rotating the safety into the "SAFE" position.
- 2. UNLOADING MAGAZINE** - Ensure there are no projectiles in the launcher by placing your hand under the magazine, pressing the magazine release, and pulling the magazine free from the SENTRY .68. Look inside the grip of the SENTRY .68 and ensure that no projectiles remain in the chamber or barrel area.



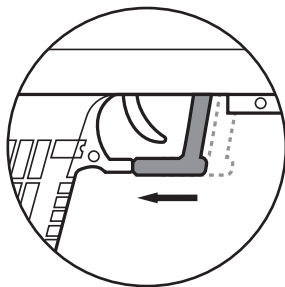
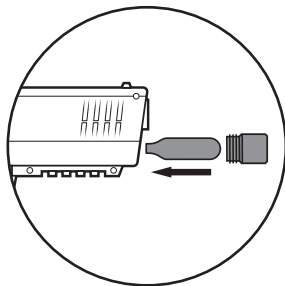
# OPERATIONAL INSTRUCTIONS

**3. LOAD PROJECTILES** - Load 5 PepperBall® Round or VXR™ Projectiles 1 at a time. The follower will automatically retract. VXR™ projectiles must be oriented as shown in the illustration.



**4. LOADING CO<sub>2</sub> CARTRIDGE** - Obtain a 12 gram CO<sub>2</sub> Cartridge. Insert the cartridge as shown in the diagram—skinny side first into the cartridge housing. Screw in the CO<sub>2</sub> Cap.

**5. ENGAGING THE CO<sub>2</sub> CARTRIDGE** - Once the 12 gram CO<sub>2</sub> cartridge has been loaded, firmly pull the trigger guard with the palm of your hand towards the trigger. This will puncture the CO<sub>2</sub> and you will hear an air hiss, indicating the unit is pressurized.

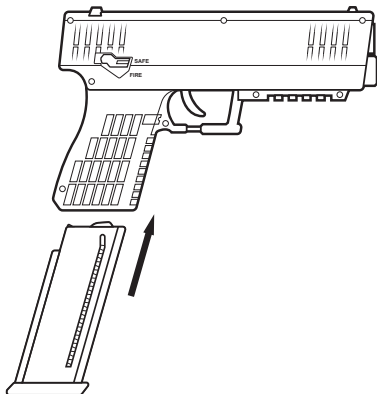




# OPERATIONAL INSTRUCTIONS

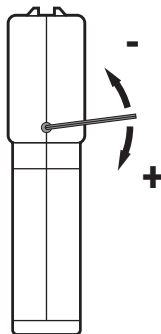
**7. LOAD MAGAZINE** - Place the magazine in the grip of the SENTRY .68™ as illustrated below. Once the magazine has started into the grip seat, continue to insert the magazine until it is secured by the magazine catch.

**NOTE:** If magazine does not lock on first insertion, remove it completely and reinsert.



## SET VELOCITY

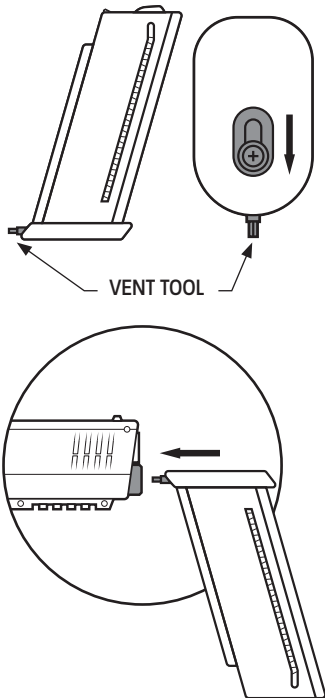
1. Insert provided 3/32" hex wrench as depicted.
2. To increase velocity, turn clockwise. To decrease velocity, turn counterclockwise.
3. Fire once to clear chamber after each adjustment, then measure velocity of the second shot.



# OPERATIONAL INSTRUCTIONS

## DE-GASSING THE SENTRY .68™

To de-gas the unit after deployment, first confirm all projectiles are removed from the Sentry .68™. To do this, remove magazine and check breech for projectiles. If a projectile is inside the breech, lightly tap the launcher on a hard surface to free the projectile. Using the vent tool located on the magazine, slowly unscrew the CO<sub>2</sub> cap. You will hear a hiss, and the CO<sub>2</sub> will empty.



## OPERATIONAL CONSIDERATIONS

- If the CO<sub>2</sub> or N<sub>2</sub> cartridge is punctured in the cartridge housing, it should be replaced if the SENTRY .68™ is not used within 24 hours.
- Operational temperature range for the SENTRY .68 Launcher:
  - CO<sub>2</sub> | 37°F to 120°F
  - N<sub>2</sub> | -15°F to 140°F
- The target zone for the SENTRY .68 launcher is the same as other PepperBall® launchers. Users can use a center of mass aiming point with the SENTRY .68 launcher. Users do not need to change their point of aim when using the PepperBall system.
- Find product information, safety data sheets (SDS) and more at [www.pepperball.com](http://www.pepperball.com).



# CLEANING & MAINTENANCE

## SAFETY NOTES

- Never clean a loaded or pressurized launcher.
- Remove all projectiles from the launcher prior to doing any cleaning or maintenance.
- Never use petroleum-based cleaning solvents or lubricants as they can attack the o-ring seals.
- Do not use cleaning solvents that come in aerosol cans.

## BREECH DEBRIS REMOVAL

1. If there is foreign debris or a broken projectile in the SENTRY .68 breech, the breech will need to be cleaned.
2. Ensure the launcher is unloaded and depressurized before cleaning the launcher. Then, using a dry cloth, wipe any debris out of the breech area

## FAQ

### **Can an empty CO<sub>2</sub> cartridge be removed from the SENTRY .68 cartridge housing and used again?**

- Once a cartridge is pierced and removed, it can no longer be used.

### **Approximately how many shots can you expect from a fresh CO<sub>2</sub> cartridge?**

- Depending on temperature and firing pace, you can expect to get 10–15 shots per cartridge.

### **A projectile broke in the breech.**

- See Debris Removal section above.

### **When I pull the trigger, nothing happens.**

- Pointed in a safe direction, first make sure the safety is off. Did it fire?
  - If yes, proceed.
  - If no, check the following: Turn the safety on, remove the magazine and replace the CO<sub>2</sub> cartridge. Repeat the firing procedure.
  - If the launcher makes a loud pop but no projectile is fired, make sure the projectiles are properly loaded in the magazine. If problem persists, contact Customer Service at [service@pepperball.com](mailto:service@pepperball.com).

# TROUBLESHOOTING

## **My SENTRY .68™ Launcher velocity is inconsistent.**

- Make sure the Sentry .68™ is lubricated by placing 2 drops of HPA oil into the CO<sub>2</sub> compartment before airing up.
- Check to see if the velocity is set too high.

## **My SENTRY .68™ is leaking down the barrel.**

- Remove CO<sub>2</sub> and place 2 drops of HPA oil into the CO<sub>2</sub> compartment. Add CO<sub>2</sub>, pressurize and pull the trigger 3 times, cycling oil into the system. Let sit for 5 minutes before degassing and adding a new CO<sub>2</sub>.

## **My SENTRY .68™ is leaking around the grip frame**

- Check to make sure your cartridge housing isn't loose. If housing has become loose, contact [service@pepperball.com](mailto:service@pepperball.com) for more instructions.

## **My SENTRY .68™ is breaking projectiles.**

- Check to make sure the barrel is clear and clean of debris.
- Check to make sure the velocity is not set too high.
- Make sure the correct projectiles are being used (PepperBall Projectiles.)
- If problem persists, contact Customer Service at [service@pepperball.com](mailto:service@pepperball.com).



# WARRANTY & DISCLAIMER

## WARRANTY, DISCLAIMER OF WARRANTY AND LIMITATION OF REMEDIES

United Tactical Systems, LLC (UTS) warrants, solely to the end user, law enforcement agencies, private security firms, or private or public corrections agencies, that the product is delivered free from defects in materials and workmanship for a period of one (1) year from the original date of purchase.

Within the one-year warranty period, UTS' liability and the buyer's sole and exclusive remedy hereunder for all claims shall be limited to a refund or credit to buyer of the purchase price, or replacement of this product, at UTS's option, provided that the non-conforming product is (1) returned during the warranty period and (2) properly packaged and shipped to the UTS designated facility in accordance with the UTS Return Merchandise Authorization (RMA) Policy.

### **THE REMEDY SET FORTH ABOVE SHALL BE THE SOLE AND EXCLUSIVE REMEDY FOR BREACH OF THE FOREGOING WARRANTY.**

Products which have been improperly handled, stored or shipped, or which have been subject to abuse, misuse, alteration and or neglect are not covered by the warranty. Aftermarket products and the use of non-authorized projectiles are strictly prohibited by UTS and any indication of their installation or use shall void all warranties. Unauthorized modifications voids the warranty.

**DISCLAIMER OF WARRANTY:** Except for the express limited warranty set forth above, UTS makes no warranties or representations of any kind, whether express or implied, with respect to the product, including any (a) warranty of merchantability; or (b) warranty of fitness for a particular purpose; or (c) warranty against infringement of intellectual property rights of a third-party, whether express or implied by law, course of dealing, course of performance, usage of trade or otherwise. There are no warranties which extend beyond the description of the face hereof. Buyer shall make no warranty or representation regarding the products that is inconsistent with the warranty set forth above. UTS shall not be liable for any injury, loss, or damage, direct or consequential, arising out of the use or the inability to use this product. Warranty does not cover damage caused by abuse, misuse, loss, improper handling, alterations, accident, neglect, or disassembly. Before use, the user shall determine the suitability of the product and be fully trained for its intended use, and user assumes all risks and liability whatsoever in connection therein. In no event shall UTS be liable or obligated to buyer or to any third party in any manner for any (a) special, non-compensatory, consequential, indirect, incidental, statutory, or punitive damages of any kind, including, without limitation, lost profits and/or lost revenue, regardless of the form of action, whether in contract, tort, negligence, strict product liability, or otherwise, even if informed of or aware of the possibility of any such damages in advance, (b) in an amount greater than the amounts paid to UTS by buyer for the products, or (c) damage or injury caused by the products, unless due to the gross negligence or willful misconduct of UTS. The limitations set forth above shall be deemed to apply to the maximum extent permitted by applicable law and notwithstanding the failure of the essential purpose of any limited remedies. The parties acknowledge and agree that they have fully considered the foregoing allocation of risk and find it reasonable, and that the foregoing limitations are an essential basis of the bargain between the parties.

# RETURN POLICY

## CUSTOMER SERVICE, REPAIR POLICY AND RETURN POLICY

For any Customer Service related issues that cannot be answered by the FAQ in this manual, please contact PepperBall at [service@pepperball.com](mailto:service@pepperball.com) or call PepperBall Customer Service at 888-874-3491.

## WARRANTY AND SERVICE INFO

All returns must be authorized by PepperBall. Contact PepperBall at [service@pepperball.com](mailto:service@pepperball.com) or call PepperBall Customer Service at 888-874-3491.

### When returning product:

**CAUTION:** ALWAYS UNLOAD AND REMOVE AIR SOURCE, AND PROJECTILES BEFORE SHIPPING A LAUNCHER.

**CAUTION:** DO NOT SHIP BACK THE AIR SOURCE UNLESS COMPLETELY EMPTIED.

- Make sure the RA Number is clearly marked on the outside of the shipping package.
- Include a brief statement regarding the requested repair on forms provided by the customer service representative. Clearly write the RA # on the form.
- Out-of-warranty returns require a pre-payment of shipping charges prior to return shipment by UTS.
- All in warranty products will be repaired or exchanged at the discretion of PepperBall and will be shipped back to the Customer via ground shipping at no-charge.
- You may request expedited shipping at your expense with charges paid prior to return shipment.



THIS IS NOT A TOY.

ONLY ALLOW USE BY RESPONSIBLE PERSONS.

READ MANUAL BEFORE USE.

Additional safety information available online.

PepperBall® is a division of United Tactical Systems, LLC  
28101 Ballard Drive, Suite F  
Lake Forest, IL 60045  
PepperBall.com