

TRP™

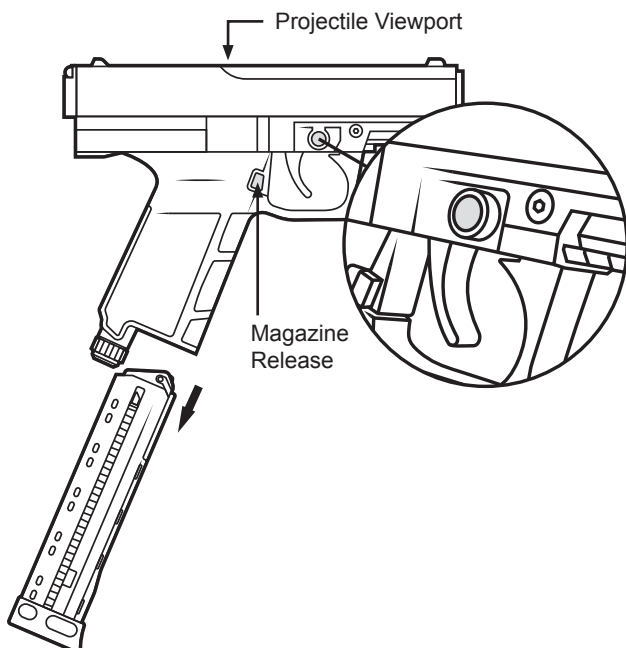
QUICK START GUIDE

Please refer to the full manual for detailed information including FAQ and troubleshooting.

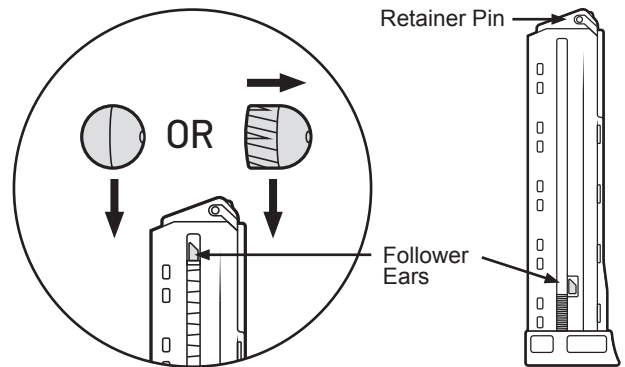
GETTING STARTED

Read this entire quick start guide before using this launcher. Keep your launcher pointed in a safe direction at all times.

1. **SAFETY** - Place the TRP™ in safe mode by pushing the safety button so no red is visible. Visible red indicates that launcher will discharge.
2. **UNLOADING MAGAZINE** - Ensure there are no projectiles in the launcher by placing your hand under the magazine, pressing the magazine release, and pulling the magazine free from the TRP™. Look inside the grip of TRP™ and ensure that no projectiles remain in the chamber or barrel area. Visually inspect the projectile viewport to ensure that no projectiles are visible.

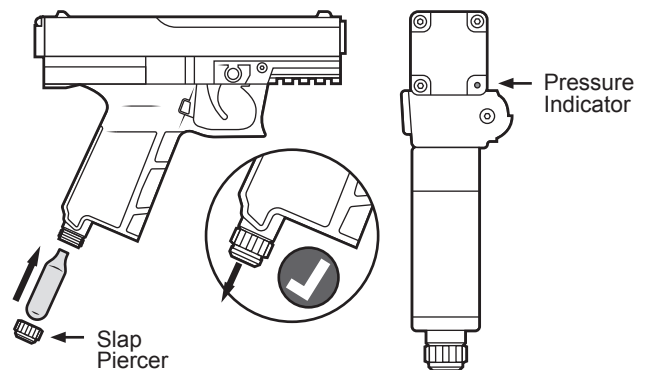


3. **LOAD PROJECTILES** - Pull down follower before inserting projectiles. Insert six (6) PepperBall® projectiles into the magazine from the top. The projectiles will be held in place automatically by the projectile retainer pin. You **must** lock the projectile follower in the down position by pulling down on the projectile follower ears before inserting projectiles. VXR™ projectiles must be oriented as shown in the illustration.



4. **LOADING CO₂ CARTRIDGE** - Insert the 12g CO₂ cartridge as shown—skinny side first into the cartridge housing. Screw in your Slap Piercer end cap. The end cap base will be raised up indicating a fresh cartridge.
5. **ENGAGING THE CO₂ CARTRIDGE** - Once the 12g CO₂ cartridge has been loaded, firmly strike the Slap Piercer end cap with the palm of your hand. View the pressure indicator on rear of TRP™ to see if properly pressurized. You will also feel resistance from the Slap Piercer end cap.

NOTE: Your TRP™ can safely be stored with the cartridge intact as long as the slap piercer has not been engaged.

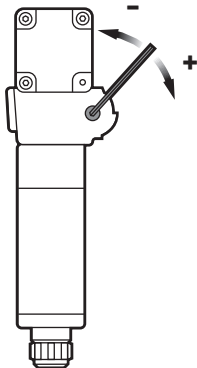


6. **LOAD MAGAZINE** - Place the magazine in the grip of the TRP™. Once the magazine has started into the grip seat, continue to insert the magazine until it is secured by the magazine catch.

NOTE: If the magazine does not lock on first insertion, remove it completely, ensure no projectiles are in the magwell, and reinsert.

SET VELOCITY

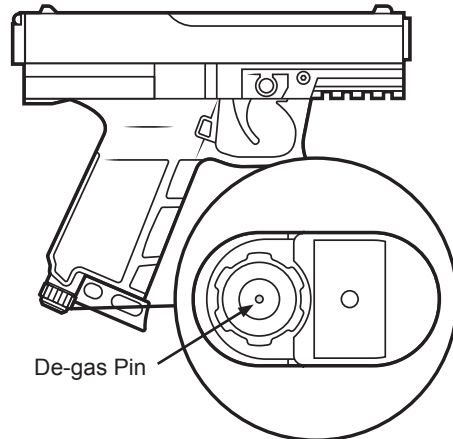
1. Insert provided 3/16" hex wrench as shown.
2. To increase velocity, turn clockwise. To decrease velocity, turn counterclockwise.
3. Fire once to clear chamber after each adjustment, then measure velocity of the second shot.



NOTE: This should not exceed 280fps when using round projectiles or 350fps for VXR™ projectiles.

DE-GASSING

To de-gas the TRP™, use your thumb or an hex key to push in the pin located in the center of the slap piercer end cap. If the pin is too hard to push, point the launcher in a safe direction and “dry fire” the launcher until enough gas has been expelled to depress the pin.



READ ENTIRE WARNING PRIOR TO USE

THIS LAUNCHER IS NOT A TOY AND IS INTENDED FOR SELF-DEFENSE ONLY. THIS PRODUCT LAUNCHES PROJECTILES FROM THE BARREL. MISUSE MAY CAUSE SERIOUS INJURY OR DEATH. IMPROPER USE COULD ALSO RESULT IN CRIMINAL PROSECUTION, FINES, IMPRISONMENT, AS WELL AS CIVIL LIABILITY. WHEN THE LAUNCHER IS NOT IN USE, ALWAYS MAKE SURE THAT THE TRIGGER SAFETY IS IN “SAFE MODE”. SEE ADDITIONAL SAFETY GUIDELINES AND USER INSTRUCTIONS IN THIS MANUAL.

⚠ WARNING: This product contains chemicals known to the State of California to cause cancer and birth defects or other reproductive harm. For more information, go to www.P65Warnings.ca.gov.

WARNING:

Gas Contents Under Pressure.

WARNING! Do not puncture or incinerate container.

WARNING! Do not heat or store at temperature above 120° F.

WARNING! Do not expose cylinder to corrosive materials.

WARNING! Keep out of the reach of children.

LIMITATIONS AND USAGE: There are some state or local limitations on purchase, possession, and use of the TRP™. Verify local legal requirements in your state and city to ensure possession and use are proper. The user assumes the liability from unsafe or improper use or any action which constitutes a violation of any applicable law or regulation.

The TRP™ may be prohibited from certain premises, including government buildings, airports, courthouses, schools, or other public spaces. Possessing a TRP™ in a prohibited area may subject user to criminal liability.



PepperBall® A Division of United Tactical Systems, LLC
28101 Ballard Drive, Suite F
Lake Forest, IL 60045
PepperBall.com | (877) 887-3773