

88**GRAM****CO₂****QUICK START GUIDE**

Thank you for purchasing the PepperBall® 88G CO₂ cartridge. If you have any questions regarding this product or other PepperBall® products, please reach out by calling or visiting our website.

PepperBall®

28101 Ballard Dr. Ste. F
Lake Forest, IL 60045

1-888-874-3491
Pepperball.com

For best performance, use PepperBall® approved oil on all o-rings.



WARNING: PEPPERBALL® LAUNCHERS AND ACCESSORIES ARE NOT TOYS!

WARNING—CONTENTS UNDER PRESSURE.

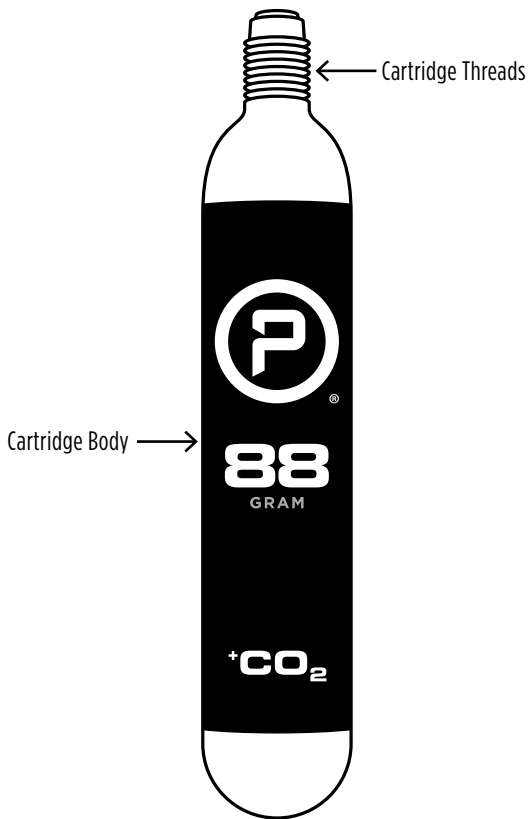
WARNING! Do not puncture or incinerate container.

WARNING! Do not heat or store at temperature above 120° F.

WARNING! Do not expose cylinder to corrosive materials.

WARNING! Keep out of the reach of children.

CARTRIDGE OVERVIEW

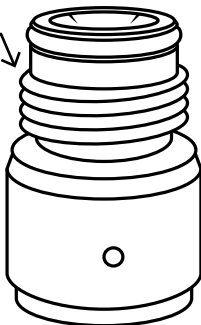


ADAPTER OVERVIEW

88

GRAM CO₂

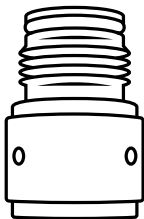
Adapter to
Launcher Threads



Adapter to
Cartridge Threads



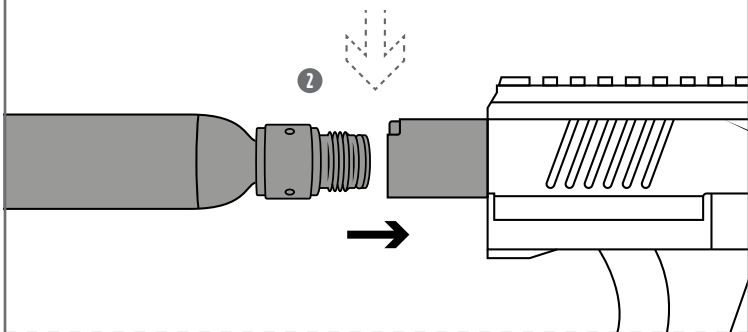
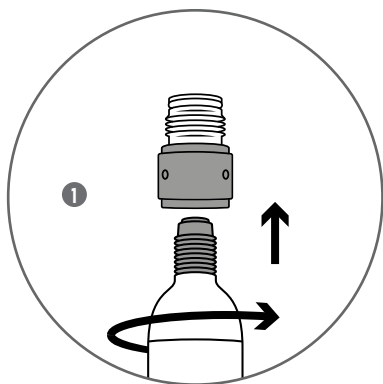
1.



PREPARE ADAPTER

Make sure the 88g Adapter is clear of all debris and the o-rings are oiled properly.

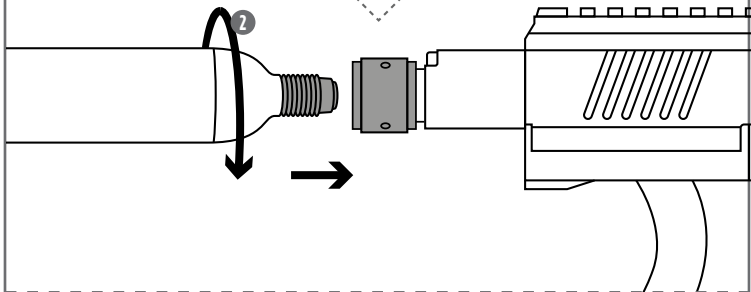
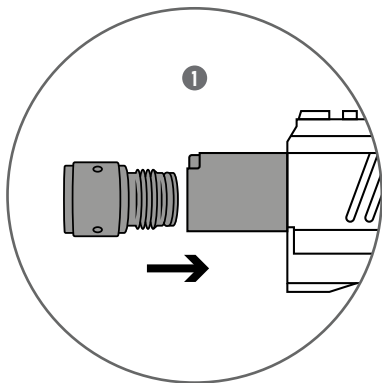
2a.



ADAPTER INSTALLATION | OPTION A

1. Screw the 88g cartridge clockwise into the adapter until you hear the cartridge puncture.
2. Screw the adapter cartridge assembly clockwise into the ASA of your launcher.

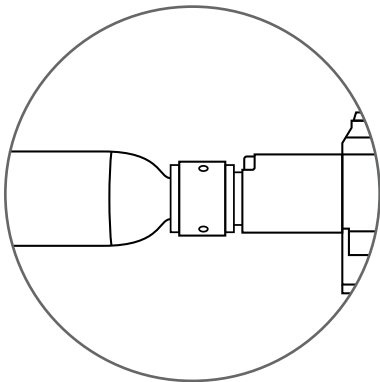
2b.



ADAPTER INSTALLATION | OPTION B

1. Screw the adapter clockwise into the ASA of your launcher.
2. Screw 88g cartridge clockwise into the adapter until you hear the cartridge puncture.

3.



PRESSURIZE THE LAUNCHER

You're now ready to deploy your launcher. Read your specific launcher product manual for specific details.

FAQ

Q: Can an empty 88g cartridge be removed and used again?

A: *Once a cartridge is pierced and removed, it can no longer be used.*

Q: Approximately how many shots can you expect from a fresh 88g CO₂ cartridge?

A: *Depending on temperature and firing pace, you can expect to get 75-100 shots per cartridge.*

Q: I'm having issues I can't solve, and the manual does not cover it.

A: *Contact our service team @ at 1-888-874-3491.*